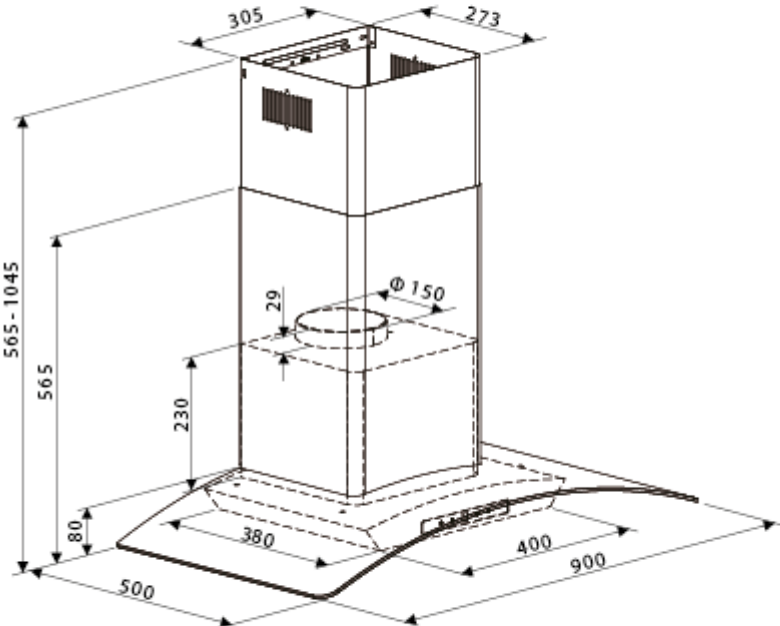
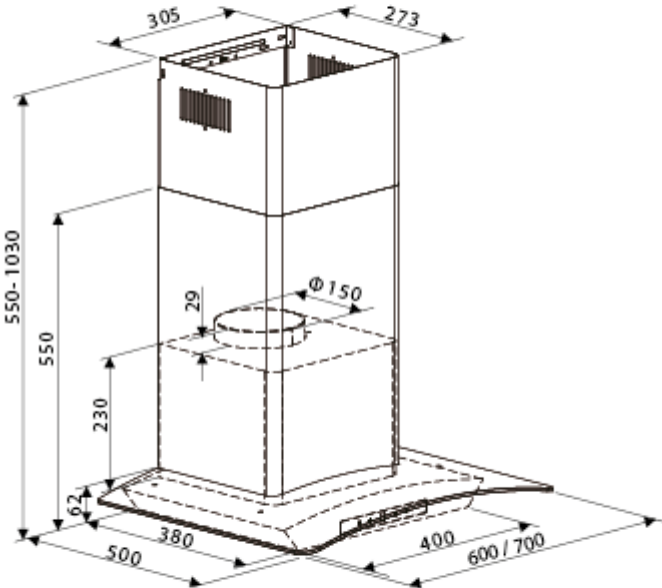


Derby II Wall



Revisionsdato: 07.11.2023

